

Operator platform height reaches up to 130" with a maximum weight capacity of 298 lbs.

Automatic closing doors

Adjustable storage tray

Extremely agile

Robust steel frame



EKM 202

Small parts order picker (474 lbs.)

The EKM 202 small parts order picker is ideal for multiple applications. The EKM is an efficient and sturdier alternative to conventional ladders, particularly for retail outlets, light maintenance applications or picking tasks without a pallet. The maximum travel speed of 5 mph / 8 km/h allows you to reach the next picking location quickly. The stable mast allows operators to confidently reach third level racking and even overhead lamps effortlessly.

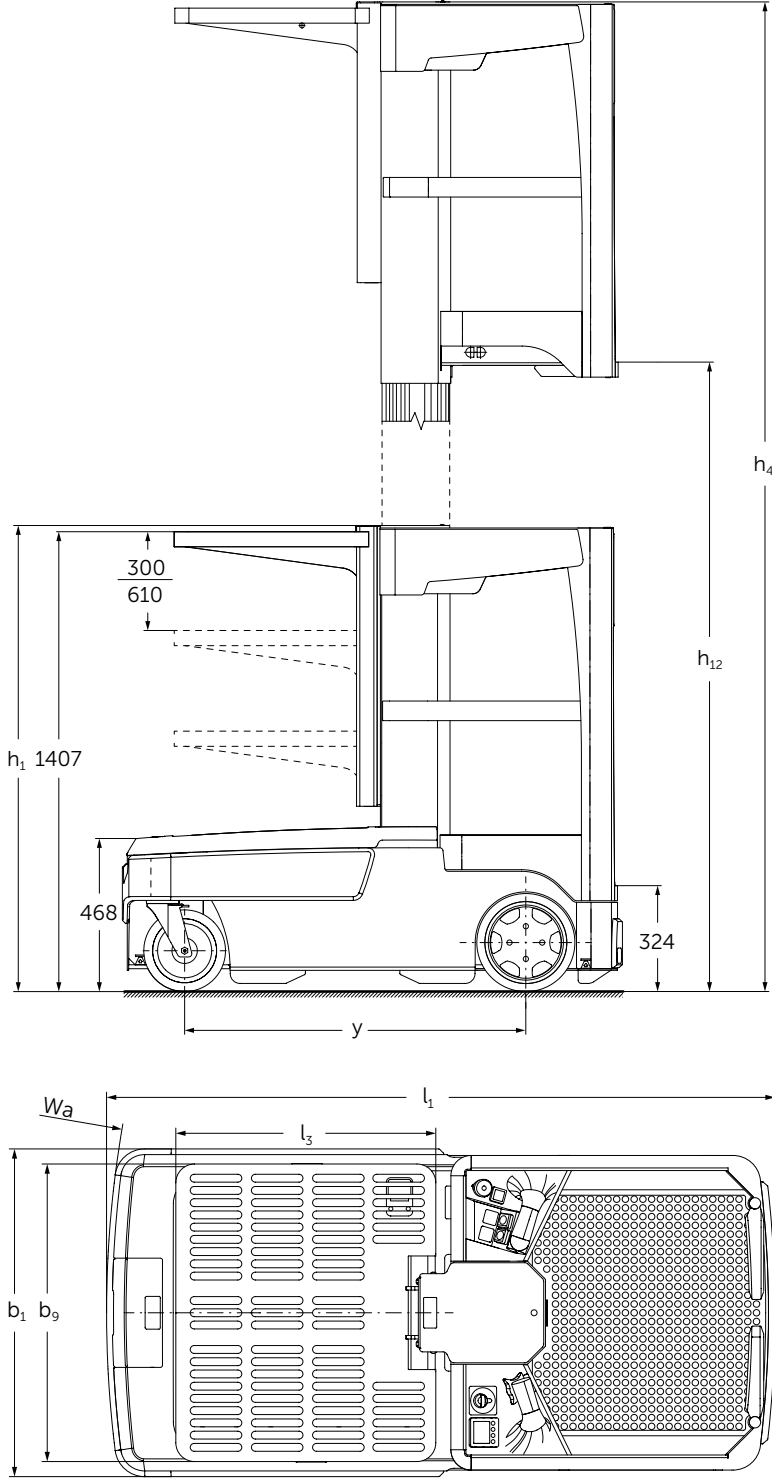
Even at great heights, the operator feels confident thanks to the automatic closing doors. It is not possible to lift without doors being closed. With the optional lock, the doors are automatically locked when the platform is raised. Only once the platform has been completely lowered, can the doors be opened again. The warning zone lights (optional) offer additional pedestrian awareness, especially when used with public traffic.

The large workstation with ergonomically configured controls allows for simultaneous lifting and driving for direct control of items on the racking. The operator can securely place the items on the storage tray and then proceed directly to the next item. If several items are to be picked at once, the storage tray can be adjusted in height to ensure visibility is not jeopardized in the direction of travel.

Thanks to its compact dimensions, versatility and ergonomics, the EKM offers more protection as well as comfort for employees, significantly increasing productivity.

**JUNGHEINRICH®**

EKM 202



Technical Data

as of: 02/2020

Characteristics	1.1	Manufacturer			Jungheinrich®				
	1.2	Manufacturer's type designation			EKM 202				
	1.3	Drive			electric				
	1.4	Operator type			order pickers				
	1.5	Upper tray load capacity / rated load	lbs	kg	220	100			
	1.6	Lower tray load capacity / rated load	lbs	kg	254	115			
	1.7	Operator Platform Capacity	lbs	kg	298	135			
	1.9	Wheelbase	y	in	mm	41.1	1,045		
	Weights	2.1	Service weight			1,356	615		
2.3		Axle loading, unloaded front / rear			551 - 805	250 - 365			
Wheels, Chassis	3.2	Tire size, front			9.8 x 2.0	250 x 50			
	3.3	Tire size, rear			11.8 x 2.6	300 x 65			
	3.5	Wheels, number front rear (x = driven wheels)			2 / 2x				
Dimensions	4.5	Height, mast extended	h ₄	in	mm	174	4,426		
	4.8	Step height			12.8	324			
	4.14	Platform raised height	h ₁₂	in	mm	130	3,324		
	4.19	Overall length	l ₁	in	mm	60	1,528		
	4.21	Overall width	b ₁	in	mm	30	750		
	4.32	Ground clearance center of wheelbase		in	mm	2.6	65		
	4.35	Outside turning radius	W _a	in	mm	49.2	1,250		
	4.38.2	Order picking height		in	mm	208	5,283		
	4.38.12	Platform length	l ₃	in	mm	23	595		
	4.38.12.2	Platform width		in	mm	27	681		
Performance	5.1	Travel speed, load direction / drive direction			mph	km/h	5 / 2.5	8 / 4	
	5.2	Lift speed, loaded / unloaded			ft / min	m / s	49.2 / 49.2	0.25 / 0.25	
	5.3	Lowering speed, loaded / unloaded			ft / min	m / s	41.3 / 41.3	0.21 / 0.21	
	5.4	Permissible tilt			degree				0°
	5.5	Max. rate of climb with / without load during lowered mast operation							8.53° / 15%
Motors	6.1	Drive motor rating S ₂ 60 min.		kW		1.0			
	6.2	Lift motor rating at S ₃ 10%		kW		2.2			
	6.4	Battery voltage, nominal capacity K5			V / Ah		24 / 192		
	6.5	Battery weight		lbs	kg	265	120		
Other	8.1	Type of drive control			AC speedCONTROL				
	8.2	Service break			reverse current / regenerative				
	8.3	Parking brake			magnetic brake				
	8.4	Drive			electrical				
	8.5	Steering			electrical				

* The EKM 202 is available in the United States and Mexico regions.

This specification sheet only provides technical values for the standard truck. Non-standard tires, additional equipment, etc., could produce other values. Rights reserved for technical changes and improvements.

The Jungheinrich Advantage



Padded doors for easy entry and operator comfort



Controls and storage tray in view at all times



On-board charger with integrated spiral cable



Stable even at full height

Awareness

- Sturdy mast for added stability even when raised.
- Doors are automatically closed as standard when entering or leaving the stand-on platform, so the operator can only lift the platform when the doors are closed.
- Optional door locking: Door locks are released only when the platform has been completely lowered, to avoid unwanted opening when raised.
- Warning zone lights to warn pedestrians in the aisle by illuminating the area around the truck on the ground when the operator's platform is raised.

Lifting and reaching

- The Mast design provides excellent all-round view.
- The chain-free lift requires minimal parts and very little maintenance.
- Soft-landing ensures gentle descent of the platform when lowering – no shocks or jarring for the protection of the operator and easy identification of the lowered position for exit.
- Permanent lift height display or lift cut-outs settings for low building areas or overhead cross-members.
- Maximum operator platform weight capacity of 298 lbs. / 135 kg.

Ergonomics

- Generously designed workstation provides the operator with a comfortable standing position, both while driving and while standing sideways to remove goods.
- Sensor mat on the floor supports mobility in the workstation so that the position on the stand-on platform can be freely selected.
- The steering spinner facilitates precise driving.
- Operators can operate the EKM in reverse with ease: Drive in a straight line with defined zero position, slight movements for small curves and further deflection for large curves.
- Travel switch with thumb operation for ergonomic hand position and holding with the right hand.
- Additional buttons for lifting and lowering of main lift and storage tray.

Additional optional equipment

- Guide rollers.
- Different access modules.
- Flashing lights and warning tones.

Storage options

- Upper tray with capacity of up to 220 lbs. / 100 kg; Long slots in the storage tray for good downward visibility when raised, yet enough space to effectively transport even small objects.
- Electrically adjustable storage shelf with an adjustment range of 24" / 610 mm allows ergonomic loading of the shelf from outside (optional).
- The lower tray offers additional space for transport over longer distances with a capacity of 254 lbs. / 115 kg.
- Other special storage trays, i.e. for doors, are individually available.

Parts when you need them

Jungheinrich's Parts Fast or Parts Free Guarantee ensures next-business-day delivery by 5:00 PM of all Jungheinrich parts in the United States, or they're free, including freight. For customers in Mexico, the guarantee ensures shipping of parts within 24 hours from the time the order was placed by the dealer. See your local Jungheinrich dealer for program details.

* Programs may be subject to change without notice and may vary by region. Please ask your local Jungheinrich dealer for complete terms and conditions.