

# PMCR27M- PMCR36M

6,000 / 8,000 LB CAPACITY  
CENTER CONTROL RIDERS

## 1. Value

### Minimizing Downtime

When a truck isn't operating due to downtime, it is costing you. Brushless AC motors and externally-mounted, rotating sensing encoders simplify maintenance and lessen the costs associated with it.

### Protected

IP65-rated components, thermal protection and an enclosed frame design help to prevent damage to your investment whether it be from dust, moisture, heat or debris.

## 2. Productive

### Maneuverability

The drive wheel and swivel caster wheels are independent from the rear load frame. Combined with the 190-degree steering arc, this allows for precision in tight spaces, where operators need it the most.

### Energy Efficiency

Innovative AC motor technology and regenerative braking allow for the reservation of energy during operation, providing longer run times by using less energy per cycle.

## 3. Intuitive

### Control

The T-style steer head and rotary thumb travel speed controls make the truck easy to control for operators of varying levels of skill and experience.

### Operate with Confidence

While the innovative articulated 5-point suspension frame design adds stability, operators can confidently and efficiently get the job done with high visibility in all directions from the semi-enclosed operator compartment.

## 4. Ergonomic

### Enhanced Comfort

These center control riders provide maximized operator comfort and reduce fatigue with a fully padded operator compartment and large cushioned platform.

### Easy On/Off

Whether switching back and forth from pedestrian order picking to ride-on shuttles, these center riders allow for easy entry and exit into the operator compartment all shift long.



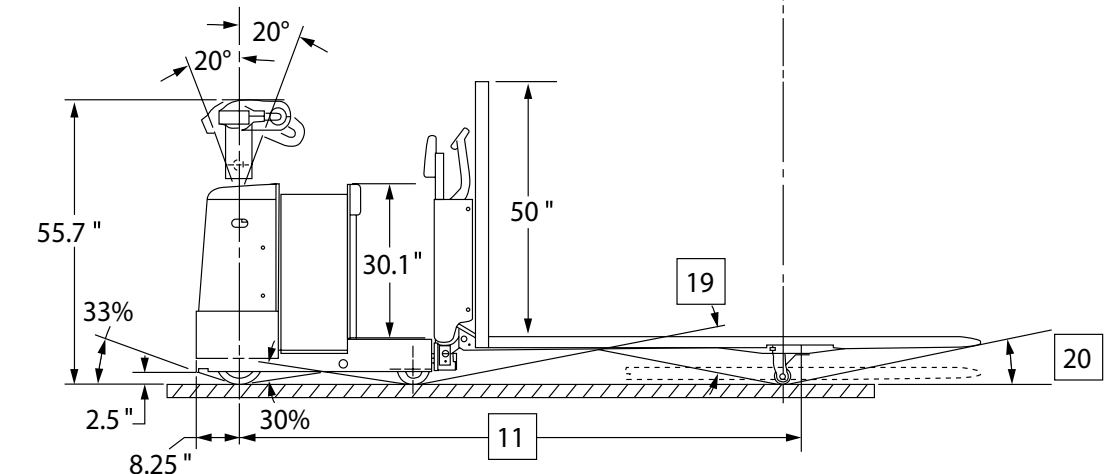
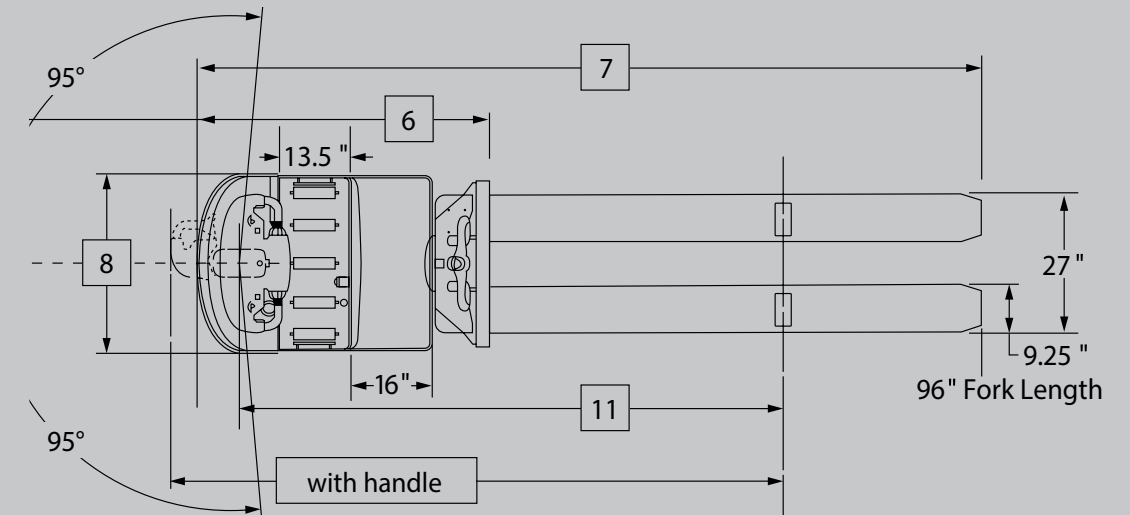
# PMCR27M- PMCR36M

CHARACTERISTICS			PMCR27M		PMCR36M	
1	Rated load capacity	lb kg	6,000 2,720		8,000 3,630	
2	Power type		24V electric		24V electric	
3	Operator type		walkie / rider		walkie / rider	
4	Tire type – drive / caster / load		solid rubber / poly / Dyalon® A Poly		solid rubber / poly / Dyalon® A Poly	
5	Wheels – drive / caster / load (x=driven)		1x / 2 / 2		1x / 2 / 2	
DIMENSIONS						
6	Head length – forks raised	in mm	56.9 1,445		56.9 1,445	
7	Overall truck length	in mm	104.9 / 140.9 / 152.9 2,665 / 3,580 / 3,885		104.9 / 140.9 / 152.9 2,665 / 3,580 / 3,885	
8	Chassis width	in mm	35.1 890		35.1 890	
9	Face of forks to center of load wheel – forks raised	in mm	36.4 / 56.5 / 56.5 925 / 1,435 / 1,435		36.4 / 56.5 / 56.5 925 / 1,435 / 1,435	
	Face of forks to center of load wheel – forks lowered	in mm	40.0 / 60.1 / 60.1 1,015 / 1,525 / 1,525		40.0 / 60.1 / 60.1 1,015 / 1,525 / 1,525	
10	Center of load wheel to fork tips – forks raised	in mm	11.3 / 27.2 / 39.2 290 / 690 / 995		11.3 / 27.2 / 39.2 290 / 690 / 995	
	Center of load wheel to fork tips – forks lowered	in mm	7.7 / 23.6 / 35.6 195 / 605 / 905		7.7 / 23.6 / 35.6 195 / 605 / 905	
11	Wheelbase – forks raised	in mm	85.3 / 106.2 / 106.2 2,165 / 2,700 / 2,700		85.3 / 106.2 / 106.2 2,165 / 2,700 / 2,700	
	Wheelbase – forks lowered	in mm	88.9 / 109.3 / 109.3 2,260 / 2,795 / 2,795		88.9 / 109.3 / 109.3 2,260 / 2,795 / 2,795	
12	Drive tire – dimensions	in mm	10 x 5 255 x 125		10 x 5 255 x 125	
13	Caster wheel – dimensions	in mm	6 x 3 150 x 75		6 x 3 150 x 75	
14	Load wheel – dimensions	in mm	3.25 x 6 85 x 150		3.25 x 6 85 x 150	
Performance						
15	Travel speed – unloaded	mph kph	9.0 14.5		9.0 14.5	
16	Travel speed – loaded	mph kph	7.2 11.6		6.2 10.0	
17	Lift / lower speed – unloaded	seconds	3.0 / 4.7		3.0 / 4.7	
18	Lift / lower speed – loaded	seconds	4.2 / 4.4		4.6 / 4.3	
19	Grade clearance – between caster and load wheels	%	57 / 40 / 40		57 / 40 / 40	
20	Grade clearance – from load wheel to fork tip	%	70 / 30 / 20		70 / 30 / 20	
21	Turning radius – standard	in mm	93.5 / 114.5 / 114.5 2,375 / 2,910 / 2,910		93.5 / 114.5 / 114.5 2,375 / 2,910 / 2,910	
	Turning radius – with handle at 90°	in mm	98.7 / 119.7 / 119.7 2,510 / 3,040 / 3,040		98.7 / 119.7 / 119.7 2,510 / 3,040 / 3,040	
22	Right angle stacking aisle* (40", 42", 48" load width)	in mm	108 / 146 / 158 2,745 / 3,710 / 4,015		108 / 146 / 158 2,745 / 3,710 / 4,015	
23	90° equal intersecting area* – 40" load length	in mm	78 / 89 / 91 1,980 / 2,260 / 2,315		78 / 89 / 91 1,980 / 2,260 / 2,315	
24	90° equal intersecting area* – 42" load length	in mm	79 / 91 / 92 2,010 / 2,315 / 2,340		79 / 91 / 92 2,010 / 2,315 / 2,340	
25	90° equal intersecting area* – 48" load length	in mm	82 / 94 / 95 2,085 / 2,390 / 2,415		82 / 94 / 95 2,085 / 2,390 / 2,415	
Weight						
26	Truck weight – no load, without battery	lb kg	1,750 / 1,895 / 1,930 795 / 860 / 880		1,750 / 1,895 / 1,930 795 / 860 / 880	
27	Battery weight – minimum	lb kg	855 390		855 390	
28	Battery weight – maximum	lb kg	1,550 700		1,550 700	
29	Forks size – outside spread	in mm	27 685		27 685	
30	Fork length	in mm	48 / 84 / 96 1,220 / 2,135 / 2,440		48 / 84 / 96 1,220 / 2,135 / 2,440	
31	Fork height – raised	in mm	9.25 235		9.25 235	
32	Fork height – lowered	in mm	3.25 82.5		3.25 82.5	
33	Fork width	in mm	9.25 235		9.25 235	
34	Compartment size* –length x width x height	in mm	33.2 x 13.5 x 31.6 840 x 340 x 800		33.2 x 13.5 x 31.6 840 x 340 x 800	
35	Amp Hr capacity – maximum (6 hour)	Ah	840		840	
36	Lead length – position B	in mm	20 508		20 508	
37	Connector	type	SB-175-Red		SB-175 Red	
38	Battery roller (optional) – height from floor ( forks lowered)	in mm	7.05 180		7.05 180	

\*Includes 1" clearance on each side of load.

Single Pallet Handling: Size the forks to the exact pallet length. The load wheels will drop in the second opening of the pallet.

Double Pallet Handling: Size the forks to the exact pallet combination length. The load wheels should be specified to drop in the first opening of the second pallet to reduce the turning radius of the truck.



## SAFETY STANDARDS

These trucks meet American National Standards Institute/Industrial Truck Standards Development Foundation, ANSI/ITSDF B56.1. Users should be aware of, and adhere to, applicable codes and regulations regarding operator training, use, operation and maintenance of powered industrial trucks, including:

- ANSI/ITSDF B56.1.
- NFPA 505, fire safety standard for powered industrial trucks -type designations, areas of use, maintenance and operation.
- Occupational Safety and Health Administration (OSHA) regulations that may apply.

Specifications, equipment, technical data, photos and illustrations based on information at time of printing and subject to change without notice. Some products may be shown with optional equipment.

# PMCR27M- PMCR36M

6,000 / 8,000 LB CAPACITY CENTER CONTROL RIDERS

## Flexible Operation

### 1. A Strong Design

With a heavy-duty frame and powder coat finish inside and out, the center control rider series is built to last.

### 2. Serviceability

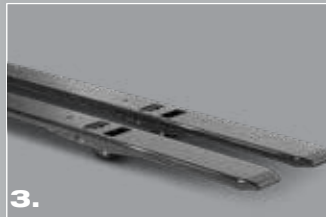
The uniquely designed steer race and enclosed frame help keep major components free from any debris for less maintenance and longer life. To promote routine maintenance, the lubrication fittings are easily accessible on the truck. An optional auto-lift feature ensures forks are lifted during operation to provide clearance to reduce pallet and load carry damage.

### 3. Reliable Forks

Our center control riders are equipped with some of the largest forks in the industry measuring 9 1/4" wide and being constructed from 1/4" plated steel with reinforced tips. With tapered 1/4" steel fork slides, the need for rollers or discs during pallet entry and exit is no longer needed.

### 4. Cold And Wet Environments

These trucks have the ability to operate in wet rooms, coolers and freezers down to 20 degree F (-28.9 degree C) with the IP65 rated sealed controllers, switches and logic.



Manufactured with superior quality and exceptional value, Mitsubishi forklift trucks are supported by an extensive dealer and field support network located throughout North and South America. Don't forget to ask your local Mitsubishi forklift truck dealer about details on factory retail programs, financing plans and additional options and dealer services like planned maintenance and operator training.

\*The product shown may be different than the actual configuration based on market requirements