

Technical Specifications

Princeton PB55+ 4-Way

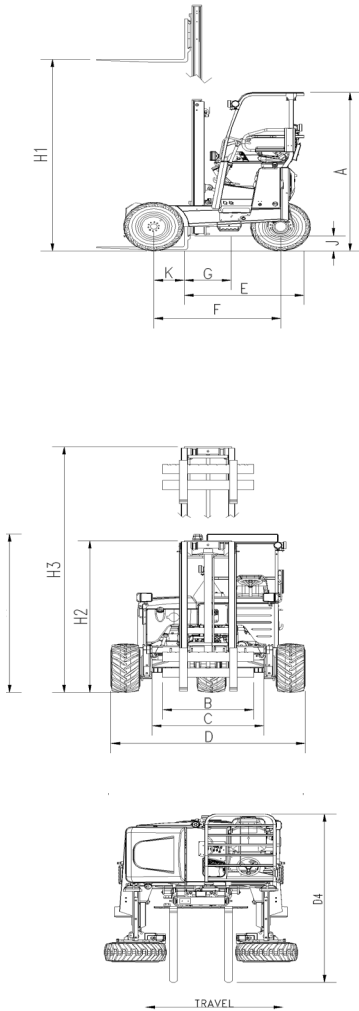


PB+

PRINCETON
DELIVERY SYSTEMS®



Princeton PB55+ 4-Way Technical Specifications



	Model	PB55+ 4-Way
	TYPE	4-Way
1	CAPACITY @ 24" LOAD CENTER	5500 lbs
2	DIESEL ENGINE	56 HP
3	ENGINE EMISSION COMPLIANCE	EPA Tier4 Final
4	MAXIMUM RPM	2700 RPM
5	ELECTRICAL SYSTEM	12 Volt
6	DRIVE WHEELS	3
7	STEERING	Hydrostatic
8	TIRE TYPE	31 x 13 - 16.5 (SS) 31 x 15.5 - 15 8-Ply (TG)
9	TIRE OUTSIDE DIAMETER (FRONT/REAR)	31.5"/31"
10	TIRE WIDTH (FRONT/REAR)	13"/15.5"
11	MAXIMUM SPEED	7 mph
12	MAXIMUM GRADABILITY (4-WAY MODE)	30% (15%)
13	TURNING RADIUS	78"
14	UNLADEN WEIGHT	6570 lbs
14a	UNLADEN WEIGHT (OPTIONAL)	7120 lbs
15	WORKING PRESSURE (ATTACHMENTS)	2500 psi
16	TILT OF MAST (FORWARD/BACKWARD)	10° / 8°
17	SIDESHIFT	5"
18	FORK SECTION	48 x 6 x 2"
19	MAST CARRIAGE TRAVEL	31"
A	HEIGHT TO TOP OF CANOPY	103"
B	FORK CARRIAGE WIDTH (CLASS)	48.25" (II)
C	FRAME OPENING	57.75"
D	OVERALL WIDTH (4-WAY MODE)	101.25" (108)
E	OVERHANG	60"
F	WHEELBASE	65.5"
G	CENTER OF GRAVITY (FROM FORK FACE)	17"
H1	LIFT HEIGHT	120"
H2	MAST HEIGHT - COLLAPSED	97.25"
H3	MAST HEIGHT - RAISED	157"
H1a	LIFT HEIGHT	144"
H2a	MAST HEIGHT - COLLAPSED	107.5"
H3a	MAST HEIGHT - RAISED	179.5"
J	GROUND CLEARANCE	8"
K	FACE OF FORK TO CENTER OF FRONT TIRE	15"
L	ANSI STANDARD	B56.14

The above specifications are not binding upon the manufacturer and may be changed without prior notice.

Weights may vary, depending on tire and/or fork options

For more information, contact your local PiggyBack Dealer

PRINCETON

DELIVERY SYSTEMS®

Princeton Delivery Systems

12233 Williams Road

Perrysburg, OH 43551 USA

tel 1.800.331.5851

www.piggy-back.com

A Part of the Hiab Group

V2017.05.11